

Making room

Hinged doors by cool it – the right solution for every purpose



Innovation based on experience

For the past 25 years, "cool it" has been producing innovative door systems that are totally practical in form and function. Whether in food production and storage or in other sensitive areas – wherever there is a need for workable solutions and maximum flexibility, "cool it" doors have proved their worth. For example, the high-quality "cool it" hinged doors. See for yourself.

Sincerely,



Rasmus Brandhorst
(Managing Director)

cool it – The partner you can rely on

Partnership with "cool it" brings many benefits. The "cool it" benefits at a glance:



Optimum supply service:
Speedy supply and totally reliable delivery dates



Excellent quality:
High-grade materials, modern manufacture,
ongoing research and development



Official standards:
DIN EN 13241-1, TÜV-GS prototype testing
(CE label) DIN EN 1634-1 (EI₂ 30, EI₂ 60) Europe
and DIN 4102 (T30, T90) Germany (fire doors)



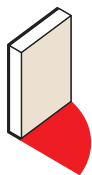
Comprehensive service:
Competent advice, active planning support,
technical assistance and own customer service



Wide range of products:
Extensive door programme, unsurpassed depth of range,
and flexible combination options –
innovative solution packages by "cool it"



Active environmental protection:
Ecologically sound product concepts, resource-conserving
manufacture, balanced life-cycle assessment



Contents

- 4 cool it hinged doors
- 6 cool it hinged doors for chill rooms and freezer rooms
- 7 D8
D12
D16
- 12 cool it hinged doors for utility rooms
- 13 B4
B4B
B4F
B8
- 18 Frames
- 19 Frame variants
- 20 Frame installation situations
- 24 Trim variants
- 25 Service
- 26 Technical drawings

Hinged doors by cool it are the first choice for internal and external use. Whether for refrigerated or utility rooms – they offer outstanding material, workmanship and trim. But their special strength is their unique range of variants and their flexibility in every installation situation.

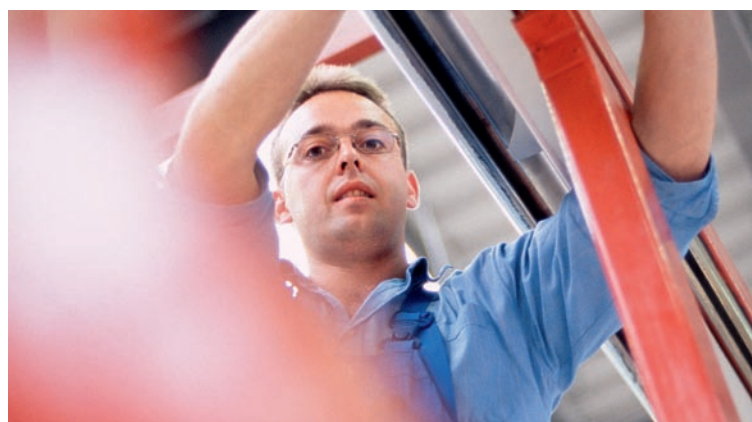
Hinged doors have made cool it a big name. For over 25 years they have been among the best the market has to offer.

Hinged doors are the top sellers in the “cool it” programme. Thanks to targeted innovation and close cooperation with its customers, “cool it” has steadily optimised its production. As a result, “cool it” produces around 100 custom-made hinged doors every day for a wide variety of uses and to individual

requirements – at competitive prices.

Their uncompromising user friendliness is due not only to their functional and visual diversity. Thanks to flexible manufacturing processes, “cool it” can guarantee to deliver within ten working days – while maintaining consistently high quality. The support “cool it” provides for its customers’ planning and construction activities is unparalleled on the market.





The right door for every customer and every room

Modern enterprises expect every door to fit in perfectly with the overall look of the building, whether it leads into a refrigerated room or a staff canteen. Which is why "cool it" offers a broad spectrum of frames, surfaces and colours for its hinged doors.

In the interests of standing out from its competitors, "cool it" even has hardware produced to its own specifications. This means that every door can be upgraded in easy stages to create a made-to-measure high-end product. But "cool it" also has the solution for less exacting demands. Tried-and-tested materials and components can be used on request to produce functional, high quality hinged doors with a particularly attractive price-performance ratio.

Innovation for maximum ease of handling

To make its hinged doors particularly user friendly, "cool it" offers as an extra the unique Easy-Push door handle. The optimised second generation of this patented mechanism makes it possible to open (and hermetically close) the hinged door with light pressure from one hand – an advantage especially in heavily frequented work areas.

This development demonstrates the practical approach and user orientation that "cool it" adopts in designing its doors.



cool it hinged doors for chill rooms and freezer rooms are designed specifically for temperature-controlled processing and storage zones – and for every conceivable installation situation.



The hinged doors of the D series combine the required functions with individual looks and reliability. Available as Premium or Standard versions, to suit every budget.

Proven technology for all requirements

The Premium variants can be used in indoor and outdoor situations. The programme consists of three models offering different insulation levels:

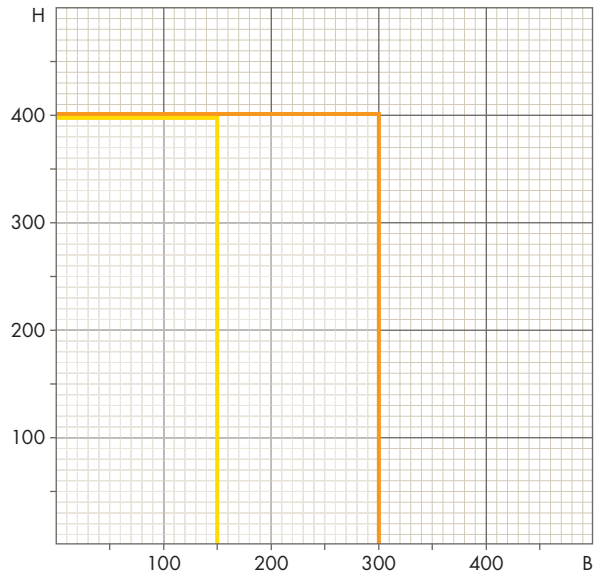
- D8 (8 cm leaf thickness, for chill rooms)
- D12 (12 cm leaf thickness, for freezer rooms)
- D16 (16 cm leaf thickness, for shock freezer rooms)

Each model is also available as a double-leaf ZD variant; all comply with the highest hygiene requirements. Thus "cool it" offers the right door for every temperature range and every humidity situation. The wide range of frames, designs and trims is outstanding. "cool it" gives the doors any desired look and supplies them with frames that allow installation in almost any wall. These D models can even help to control the flow of personnel in buildings: Access control via chip cards or single-sided door furniture for one-way access – everything's possible with hinged doors by "cool it".

Clear opening size, hinged door for chill, freezer and shock rooms

Maximum size, width x height, in cm (special sizes on request)

- D8 (for chill rooms), D12 (for freezer rooms), D16 (for shock rooms) – single-leaf: 150 cm x 400 cm
- ZD8, ZD12, ZD16 – double-leaf: 300 cm x 400 cm



	D8	D12	D16
--	-----------	------------	------------

Application	Chill room	Freezer room	Shock room
Temperature range	0 °C bis +8 °C	0 °C bis -28 °C	0 °C bis -40 °C

Door leaf	single-leaf	double-leaf	single-leaf	double-leaf	single-leaf	double-leaf
Leaf thickness	80 mm PU foam-filled (CFC-free)		120 mm PU foam-filled (CFC-free)		160 mm PU foam-filled (CFC-free)	
Leaf surface	galvanised steel sheet, painted or laminated/stainless-steel sheet					

Surface variants	
Stainless steel	V2A /1.4301), V4A (1.4401) circular brush finish, matt brush finish, strip finish
Galvanised steel sheet (painted)	RAL 9010, 9006, 9002, 9001, 7035, 5010, 3000, 1021, 1019, 1015 (other colours available on request)
Galvanised steel sheet (laminated)	RAL 9001, 9010

Door frame (original frame)			
Thermotec flat frame 150 mm x 50 mm	•	•	•
Thermotec flat frame 100 mm x 40 mm	•	•	---
Block frame	•	•	•
Hatch frame (4-sided frame)	•	•	•
Material/surface	for more details see pages 18/19		

Installation variants	masonry, panel/timber frame walls, for more details on installation see table on page 19
------------------------------	--

Hinges	rising hinges made of stainless steel/plastic
---------------	---

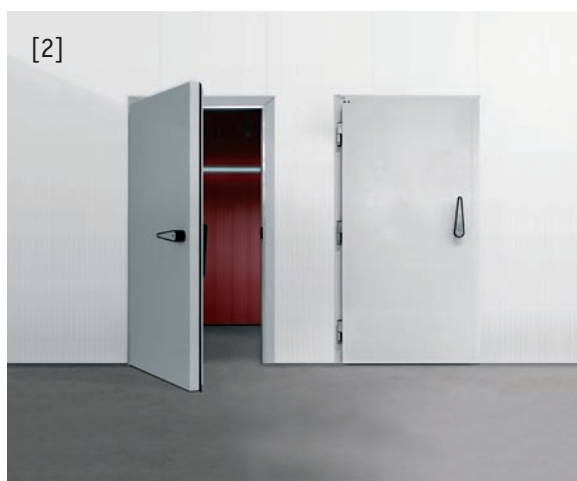
Handles			
Easy push (snap-in closure)	•	---	---
"cool it" compression lever ¹	•	•	•
Reverse closure ²	•	---	---

Fitting options	more than 120 fitting variants are available – just ask us
------------------------	--

Safety certificates	CE, VDE, TÜV GS, TÜV prototype tested, DIN EN 13241-1
----------------------------	---

¹ the "cool it" compression lever is equipped with an emergency opening system

² "cool it" compression lever for inward opening door



[1]
Chill room door D8,
surface in V2A
matt finish

[2]
Freezer room door
D12, surface painted in
RAL 9002

[3]
Partition wall made
of chill room doors D8,
surface V2A
circular-brush finish





[1]
Chill room door D8,
surface painted in
RAL 9002

[2]
Shock room door D16
with pressure relief
valve, surface V2A
circular-brush finish

[3]
"cool it" compression
lever (outside handle)

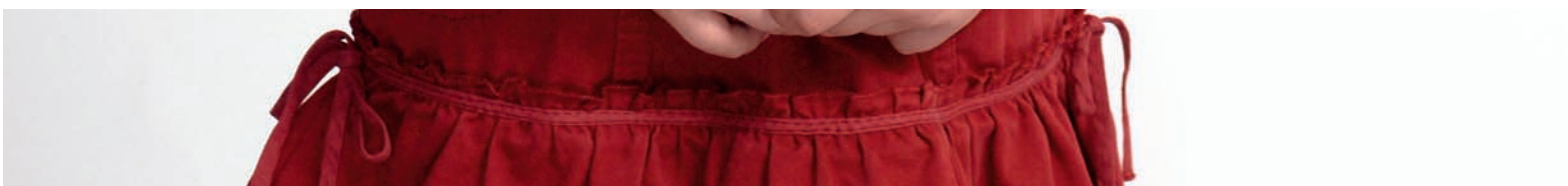
[4]
"cool it" rising hinge

[5]
Double hinges for
large doors





cool it hinged doors for utility rooms are the high-quality room closure when there is no call for cooling and freezing. They provide a complete system solution – function and design – to meet every wish.

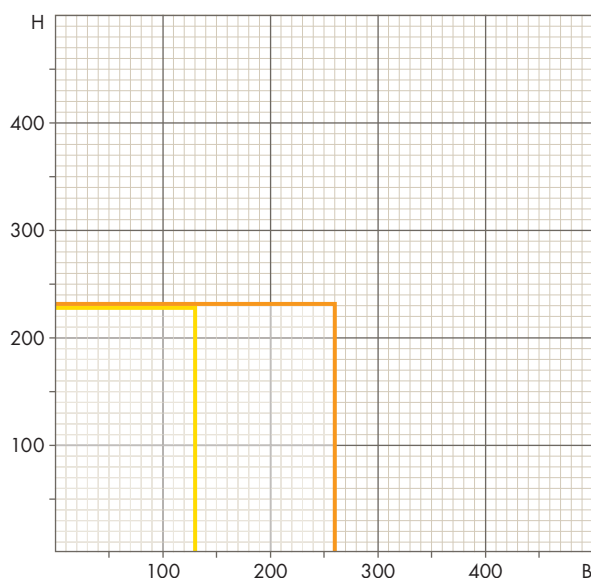


Utility room doors by cool it look good everywhere, whether they lead into a laboratory, storage room, amenity rooms or the manager’s office. cool it has a complete range of doors for the entire company.

Clear opening size,
hinged door for utility rooms B4 series

Maximum size, width x height, in cm (special sizes on request)

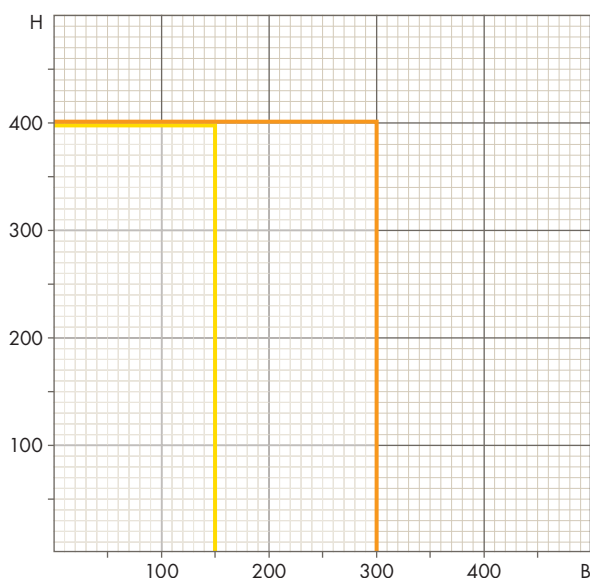
- B4, B4B, B4F – single-leaf: 130 cm x 230 cm
- ZB4, ZB4B, ZB4F – double-leaf: 260 cm x 230 cm



Clear opening size,
hinged door for utility rooms B8

Maximum size, width x height, in cm (special sizes on request)

- B8 – single-leaf: 150 cm x 400 cm
- ZB8 – double-leaf: 300 cm x 400 cm



One-stop shopping

Universality is probably the most important feature of utility room doors by “cool it”. Where there is no need to cool anything and what matters is the right look, hygiene, robustness and a good seal, these are the doors of choice. They offer the same size, colour and surface options as the chill and freezer room doors. They enable “cool it” to help you create a consistent, high-quality visual outfit for your company. Both – as a single-leaf or double-leaf variant – in technical areas and in office tracts.

This brings another advantage: you only have one partner for all the doors in your facility. And this greatly simplifies all processes, from planning, construction and delivery right through to maintenance and service. A chain that allows you to derive the full benefit from the user friendliness of “cool it” products.

	B4	B4B	B4F
--	-----------	------------	------------

Application	Utility room		Utility room		Utility room	
Door leaf	single-leaf	double-leaf	single-leaf	double-leaf	single-leaf	double-leaf
Leaf thickness	40 mm PU oam-filled (CFC-free)		40 mm PU foam-filled (CFC-free)		40 mm PU oam-filled (CFC-free)	
Leaf surface	galvanised steel sheet, painted or laminated/stainless-steel sheet					
Surface variants						
Stainless steel	V2A (1.4301), V4A (1.4401) circular brush finish, matt brush finish, strip finish					
Galvanised steel sheet (painted)	RAL 9010, 9006, 9002, 9001, 7035, 5010, 3000, 1021, 1019, 1015 (other colours available on request)					
Galvanised steel sheet (laminated)	RAL 9001, 9010					
Door frame (original frame)						
Block frame	---		---		---	
Thermotec flat frame 150 mm x 50 mm	---		---		---	
Thermotec flat frame 100 mm x 40 mm	---		---		---	
Corner frame	•		•		•	
Wrap-around frame	---		•		•	
Stainless steel wrap-around frame	•		•		•	
Hatch frame (4-sided frame)	•		•		•	
Material/surface	for more details see pages 18/19					
Installation variants	masonry, panel/timber frame walls, for more details on installation see table on page 19					
Hinges	steel hinges, stainless steel or painted black					
Handles						
Door furniture	a wide variety of door furniture is available – just ask us					
Fitting options	more than 120 fitting variants are available – just ask us					
Safety certificates	CE, VDE, TÜV GS, TÜV prototype tested, DIN EN 13241-1					

B8

Utility room

single-leaf	double-leaf
80 mm PU oam-filled (CFC-free)	

-
-
-
-
-
-
-

rising hinges
made of stainless steel / plastic



[1]
B4F multifunctional door, surface in V2A matt finish

[2]
B8 utility room door, surface in V2A circular-brush finish







[5]



[6]

[1]-[4]
B4F multifunctional door, surface stainless steel

[5]
B8, surface painted in RAL 9002



[7]



[8]

[6]
B8, surface V2A circular-brush finish with block frame/clamping frame

[7]
double-leaf ZB8, surface painted in RAL 9002

[8]
double-leaf ZB4F, surface V2A matt finish



[9]



[10]

[9]
B4F, surface V2A matt finish with corner frame/clamping frame

[10]
B4B, surface painted in RAL 9010, with corner frame

It takes the right frame to make a cool it hinged door functionally and visually complete. Whether wall panel, masonry or stud wall – cool it offers the perfect frame system for every installation situation.

Door frames (original frames)

The quality of the doors continues into the frames. Every hinged door package includes a frame. This means that installation in masonry or concrete, for example, is possible without any additional accessories. The perfect match for the Premium segment hinged doors is the "cool it" Thermotec frame in two variants. Features of the "cool it" block frame are reliable functionality and an excellent price-performance ratio.

Thermotec flat frame 150 mm x 50 mm

- made from extruded thermoplastic for efficient insulation
- absolute hygiene thanks to high-density Gel-Coat surface in RAL 9002
- screw fixing at mitred joints
- optionally fitted with painted plates in all available RAL colours or stainless steel
- also ideal for door opening sizes larger than 120 cm x 220 cm (width x height)
- for installation in masonry
- for installation in panels (with appropriate counterframe)

Thermotec flat frame 100 mm x 40 mm

- made from extruded thermoplastic for efficient insulation
- absolute hygiene thanks to high-density Gel-Coat surface in RAL 9002
- seamless, plastic-welded mitres
- steel jacket is not possible

- available for door opening sizes up to 120 cm x 220 cm (width x height)
- for installation in panels (with appropriate counterframe)

Block frame

- high-quality standard frame from "cool it"
- PU foam-filled (CFC-free) frame profile 100 mm x 80 mm
- steel-jacketed in same surface as door leaf
- available in various RAL colours (see page 24)
- for installation in masonry
- for installation in panels (with appropriate counterframe)

Corner frame

- folded stainless steel section 1.5 mm
- V2A (1.4301), matt finish
- welded mitres
- for installation in panels or timber frame (with appropriate counterframe)

Wrap-around frame

- folded stainless steel section 1.5 mm, matt finish
- welded mitres
- made to measure for effective wall thickness
- for installation in masonry

Stainless steel wrap-around frame

- 3-part folded stainless steel section 1.5 mm, matt finish
- made to fit panel dimensions
- for installation in panels

Installation solutions for cool it hinged doors for chill rooms and freezer rooms

Installation situation: masonry or panel walls

Door frame (original frame)	Installation in masonry	Installation in panels (using specified counterframe)			
		Clamping frame	Corner clamping frame	Panel fixing	
Thermotec flat frame 150 mm x 50 mm	●		●	●	
Thermotec flat frame 100 mm x 40 mm	●		●	●	
Block frame	●	●			

Installation solutions for cool it hinged doors for utility rooms

Installation situation: masonry or panel walls

Door frame (original frame)	Installation in masonry	Installation in panels (using specified counterframe)			
		Clamping frame	Corner clamping frame	Panel fixing	Clip facing
Thermotec flat frame 150 mm x 50 mm	●		●	●	
Thermotec flat frame 100 mm x 40 mm	●		●	●	
Block frame	●	●			
Corner frame	●				●
Wrap-around frame	●				
Stainless steel wrap-around frame		no counterframe is necessary for installing the stainless steel wrap-around frame in partition walls			

Counterframe

Some wall types, e.g. panels and timbered frames, require an additional counterframe in addition to the door frame (original frame) and in some cases special fixing material (see table). The original frame and counterframe are screwed together.

This gives the door system the necessary stability in the element.

Hatch frame

Standard original frames have three sides. On request, they are also available as 4-sided all-round hatch frames.

Advice and assistance from cool it

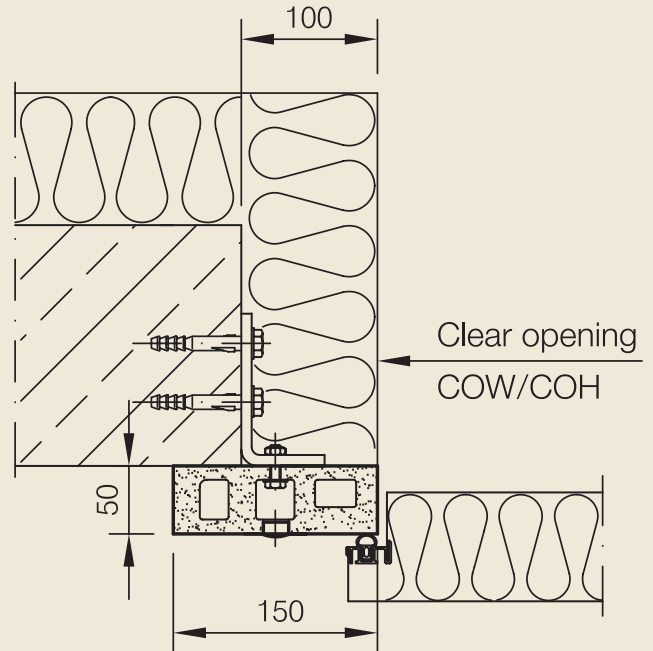
Which frame for which door and which wall?

The best way to find the right configuration is to take advantage of the comprehensive advice offered by "cool it" – on the phone and, if desired, on site.

Flat frame 150 mm x 50 mm

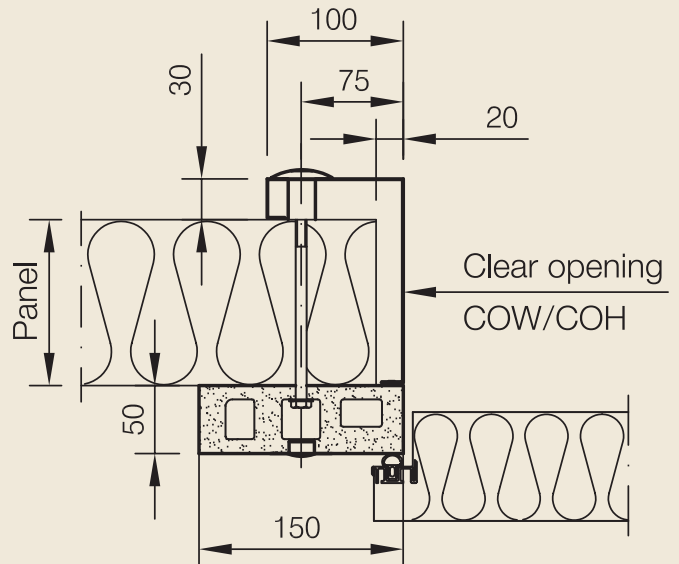
Thermotec flat frame 150 mm x 50 mm

- Installation situation shown: masonry
- Structural opening size =
 - clear opening width: +200 mm
 - clear opening height: +100 mm
 - (from top of finished floor)



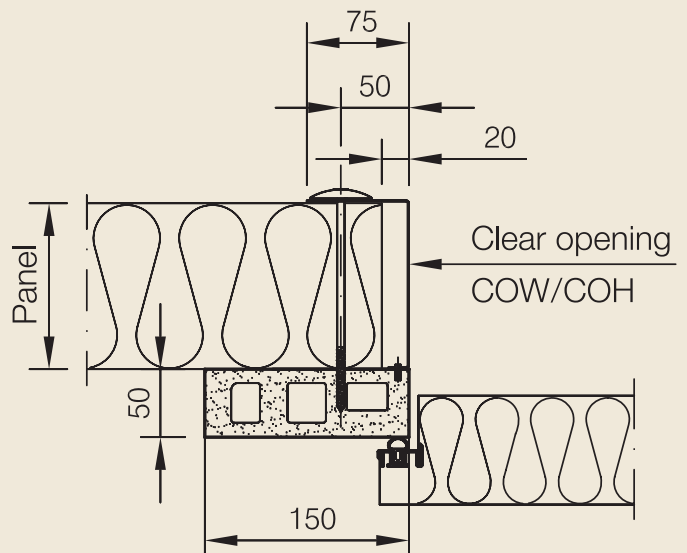
Thermotec flat frame 150 mm x 50 mm with angled clamping frame

- Installation situation shown: panel
- Cut panel size =
 - clear opening width: +40 mm
 - clear opening height: +20 mm
 - (from top of finished floor)



Thermotec flat frame 150 mm x 50 mm with partition wall fixing

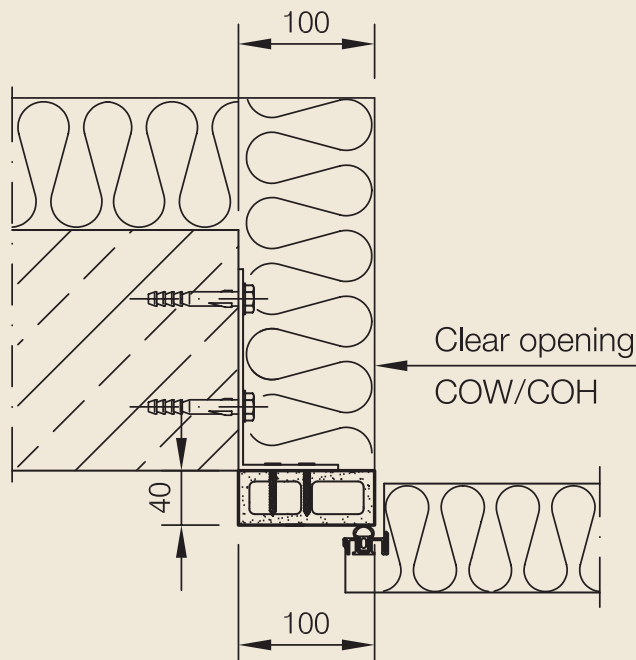
- Installation situation shown: panel
- Cut panel size =
 - clear opening width: +20 mm
 - clear opening height: +10 mm
 - (from top of finished floor)



Flat frame 100 mm x 40 mm

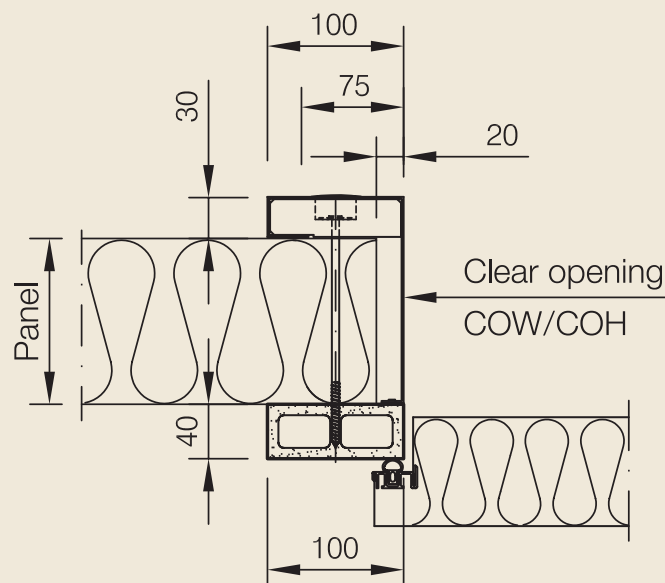
Thermotec flat frame 100 mm x 40 mm

- Installation situation shown: masonry
- Structural opening size =
clear opening width: +200 mm
clear opening height: +100 mm
(from top of finished floor)
- The frame shown is suitable for "cool it"
hinged doors up to 120 cm x 220 cm
clear opening size



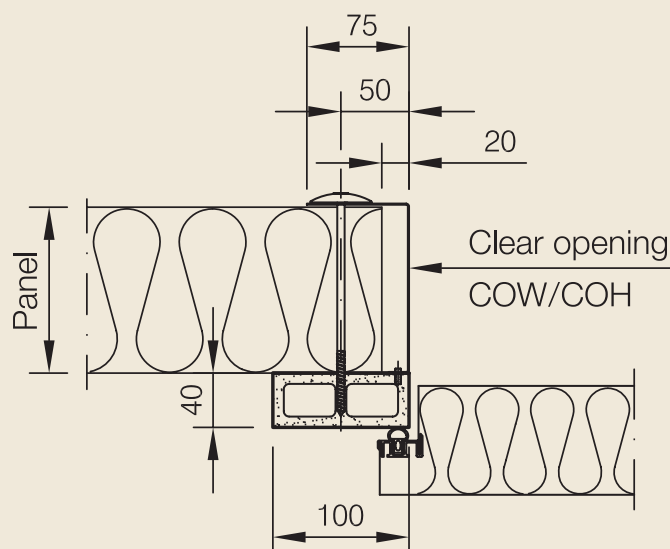
Thermotec flat frame 100 mm x 40 mm with angled clamping frame

- Installation situation shown: panel
- Cut panel size =
clear opening width: +40 mm
clear opening height: +20 mm
(from top of finished floor)
- The frame shown is suitable for "cool it"
hinged doors up to 120 cm x 220 cm
clear opening size



Thermotec flat frame 100 mm x 40 mm with partition wall fixing

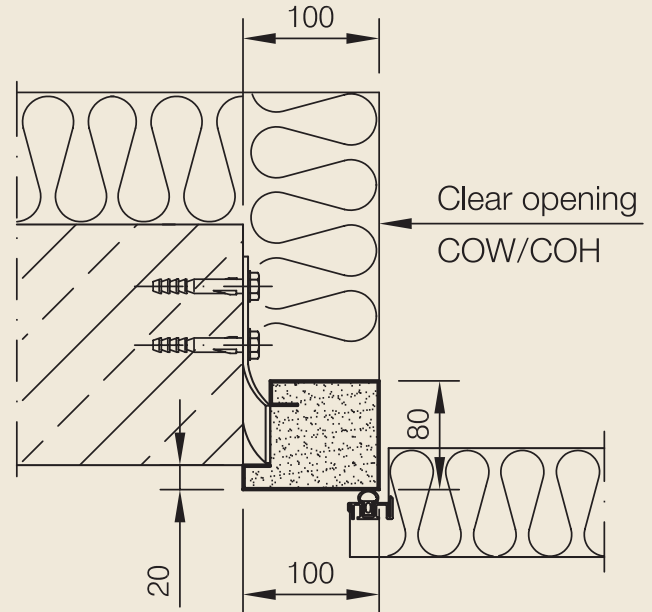
- Installation situation shown: panel
- Cut panel size =
clear opening width: +20 mm
clear opening height: +10 mm
(from top of finished floor)
- The frame shown is suitable for "cool it"
hinged doors up to 120 cm x 220 cm
clear opening size



Block frame

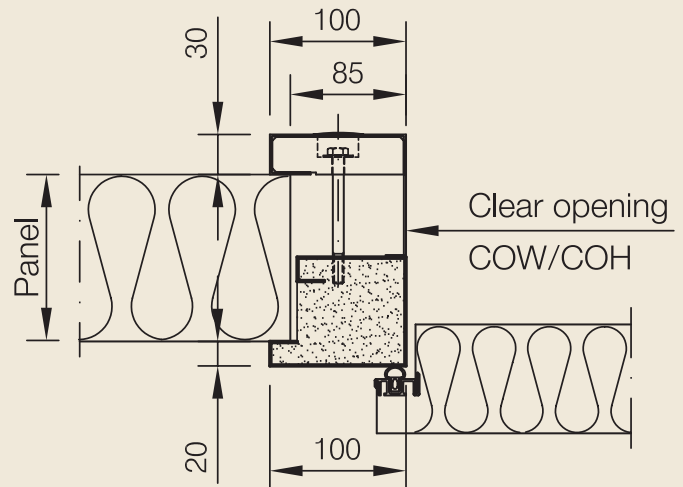
Block frame

- Installation situation shown: masonry
- Structural opening size =
clear opening width: +200 mm
clear opening height: +100 mm
(from top of finished floor)



Block frame with clamping frame

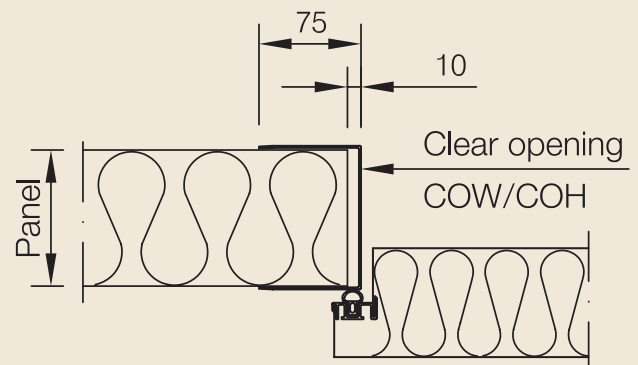
- Installation situation shown: panel
- Cut panel size =
clear opening width: +170 mm
clear opening height: +85 mm
(from top of finished floor)



Stainless steel wrap-around frame

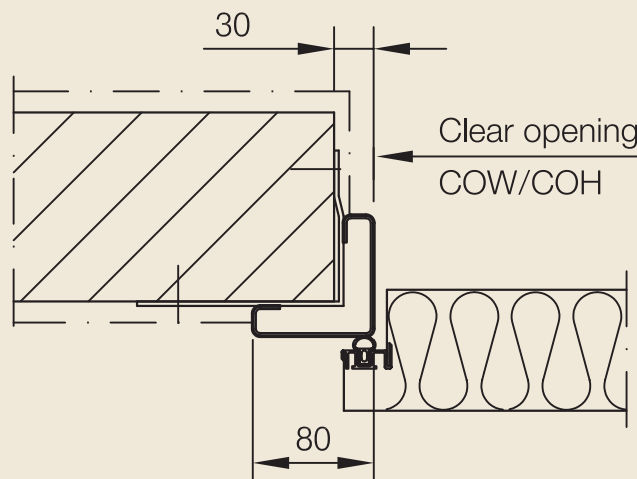
Stainless steel wrap-around frame (only suitable for panels)

- Cut panel size =
clear opening width: +20 mm
clear opening height: +10 mm
(from top of finished floor)
- In view of cold bridges the frame shown is not suitable for use in refrigerated rooms



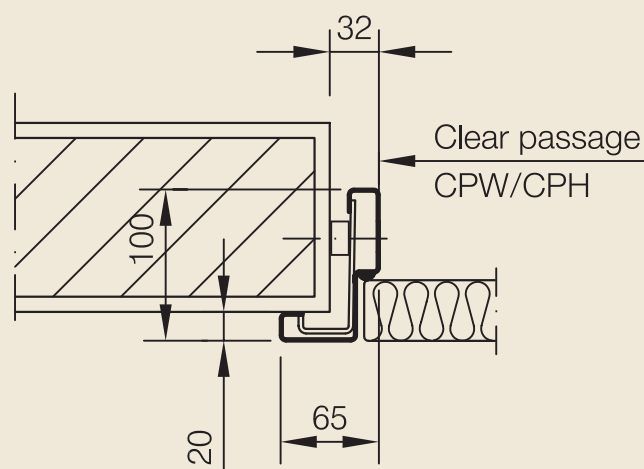
Corner architrave for B8

- Installation situation shown: masonry
- Structural opening size =
clear opening width: +60 mm
clear opening height: +30 mm
(from top of finished floor)
- In view of cold bridges the frame shown is not suitable for use in refrigerated rooms



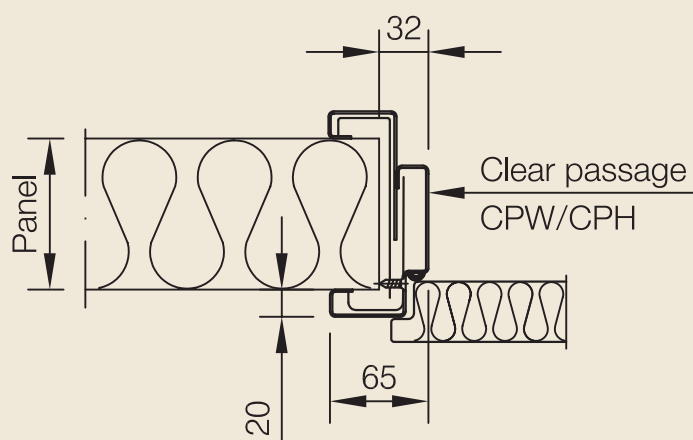
Corner architrave for B4B

- Installation situation shown:
visible masonry or finished
(tiled or plastered) masonry
- Structural opening size =
clear opening width: +64 mm
clear opening height: +32 mm
(from top of finished floor)
- In view of cold bridges the frame shown is not suitable for use in refrigerated rooms



Corner architrave with clip facing for B4F

- Installation situation shown: panel
- Cut panel size =
clear opening width: 64 mm
clear opening height: 32 mm
(from top of finished floor)
- In view of cold bridges the frame shown is not suitable for use in refrigerated rooms



Hinged doors by cool it are always right – everywhere.

Depending on technical and visual requirements they are carefully tailored to the individual purpose and preferred look. More than 120 colour and trim combinations are possible.

Versatile range of surfaces

The freedom of choice that “cool it” offers is valued by companies who want to keep their doors in line with their external appearance. Doors by “cool it” make it easy to strike a visual note in the company. And the variety of colours helps to make optimum use of the design line inside the company too. All hinged doors in the Premium series (Z)D8, (Z)D12, (Z)D16) can be supplied in a wide variety of finishes.

For example, galvanised steel painted in the following colours:

- “Pure white” (RAL 9010),
- “White aluminium” (metallic finish RAL 9006)
- “Grey white” (RAL 9002),
- “Cream” (RAL 9001),
- “Light grey” (RAL 7035),
- Blue (RAL 5015, 5014 and 5010),
- “Flame red” (RAL 3000),
- “Rape yellow” (RAL 1021),
- “Grey beige” (RAL 1019),
- “Light ivory” (RAL 1015),

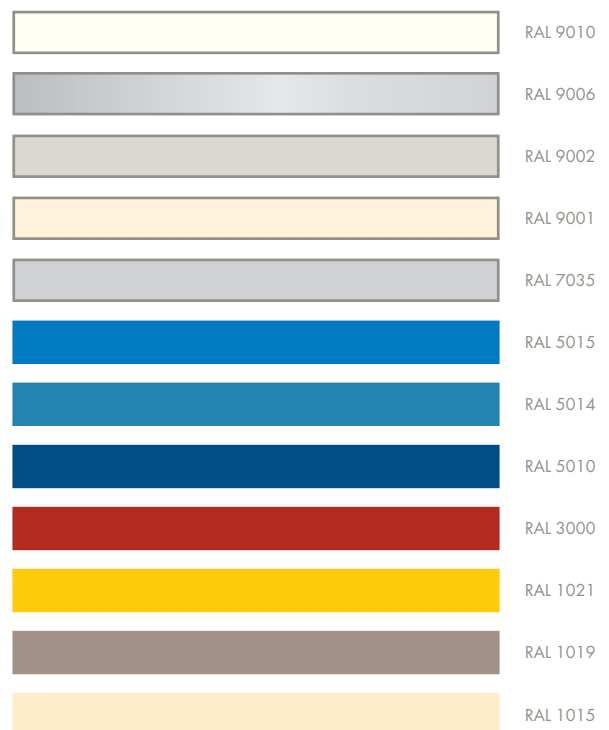
or galvanised steel, laminated in:

- RAL 9010 and
- RAL 9001.

Also available are particularly robust and hygienic stainless steel surfaces. For example:

- matt brush,
- circular-brush and
- strip finish.

“cool it” will be glad to supply details of other surface variants on request.



The colours shown here may differ slightly from the original RAL colour scale.

The possibilities are endless

The choice includes not only numerous painted and metal finishes, but also a wide variety of trim options such as diverse door furniture, window shapes, technical hardware and frames.

Hinged doors from “cool it” can be configured in more than 120 installation options. Only “cool it” offers such flexibility.

With speedy service and personal advice, cool it ensures that every customer receives optimum products.

Our cool it experts are at your service – whether for one door or one hundred.

Friendly advice

Our advice is as individual as every “cool it” door – in person on the phone, or even on site if there are doubts about the installation situation. To ensure that everyone has a clear picture, our “cool it” experts guide every customer through the wide-ranging programme to find the right door. The variant generator is a great help here. It speeds up configuration and makes for dependable planning.

Speedy supply service

“cool it” ensures prompt and reliable handling of all orders. This includes an immediate individual quotation. Strict compliance with deadlines goes without saying. As part of its door-to-door service, “cool it” also looks after the entire shipping arrangements.

Superb support

Even if “cool it” hinged doors are largely maintenance-free – the “cool it” service team is always available if needed. Whether it is a matter of repair and maintenance work or initial installation – “cool it” provides speedy and straightforward assistance whenever the need arises. Under a service agreement if you wish. Service agreements make sense if your operation involves not only hinged doors, but also technically more complex models, e.g. “cool it” sliding doors.

cool it – always there for you!

Please do not hesitate to contact us if you have any questions, wishes or suggestions. We’re only a phone call away: Call +49 (0) 54 22/609-0 for your competent contact.

Or you can find out more on the Internet:

www.coolit.de





cool it is always at hand with advice and solutions.

For example, all the important information you need for your planning. Just call us, or visit our website:

www.coolit.de



No drawings here?
Stay cool and go online.

At: www.coolit.de/download
you'll find technical drawings
ready for instant downloading.



Some of the doors shown in this catalogue are equipped with features that are only available at extra cost.

The illustrations and details shown may differ from the original product.

All information about supply scope, appearance, services, dimensions etc. is correct at the time of going to press.

No liability is accepted for the correctness of this information.

We reserve the right to make changes.

This catalogue is printed on chlorine free bleached paper.

Valid from June 2010.



cool it Isoliersysteme GmbH
Ochsenweg 18 • 49324 Melle
Germany

Phone: +49(0) 54 22/609-0

Fax: +49(0) 54 22/609-35

www.coolit.de